



\*Finished Size: approx. 9cm (bracelet diameter)  
 \*Tools: Scissors, Ruler

## Materials

Round Rocailles 8/0

#402 : 100 pcs

#404 : 100 pcs

#408 : 100 pcs

#413 : 100 pcs

#411 : 100 pcs

#414 : 100 pcs

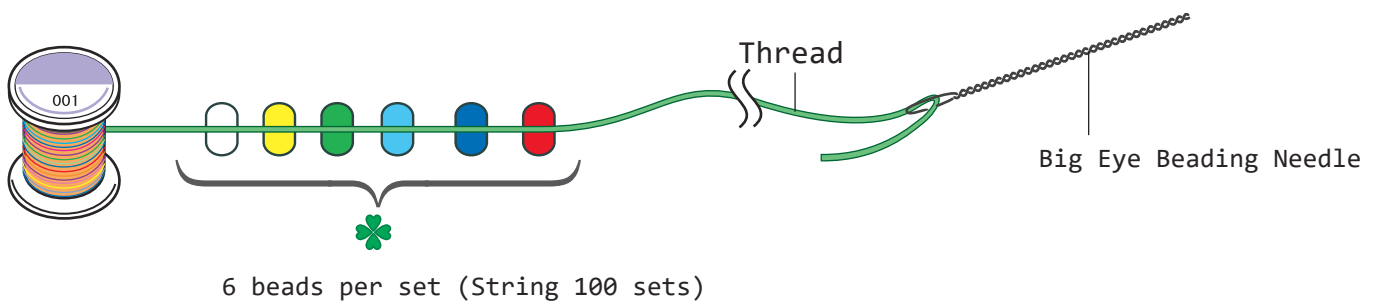
Big Eye Beading Needle

Beading Crochet Thread (#8, Φapprox. 0.45mm)

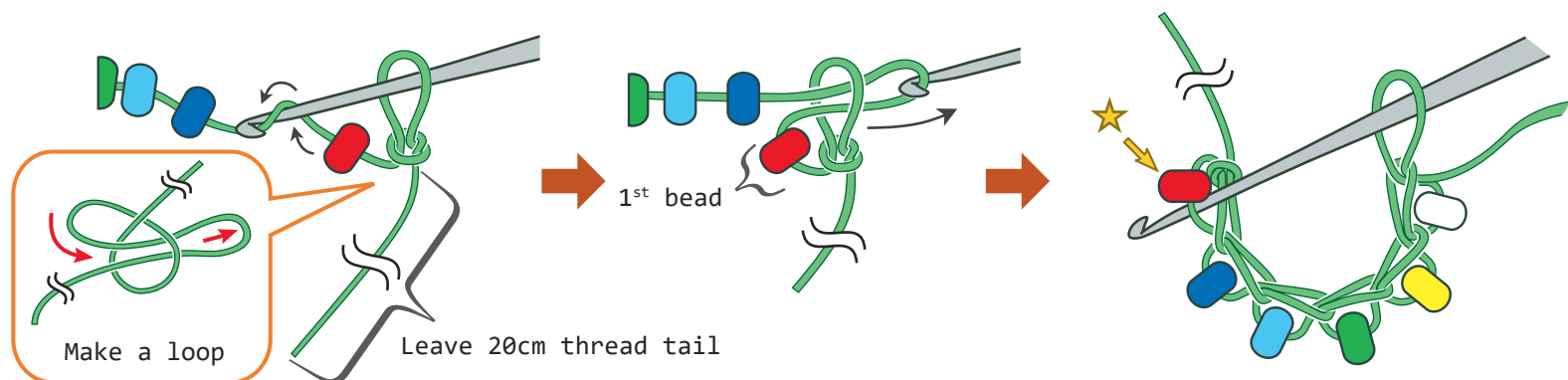
Tapestry Needle

Crochet Needle (No.4)

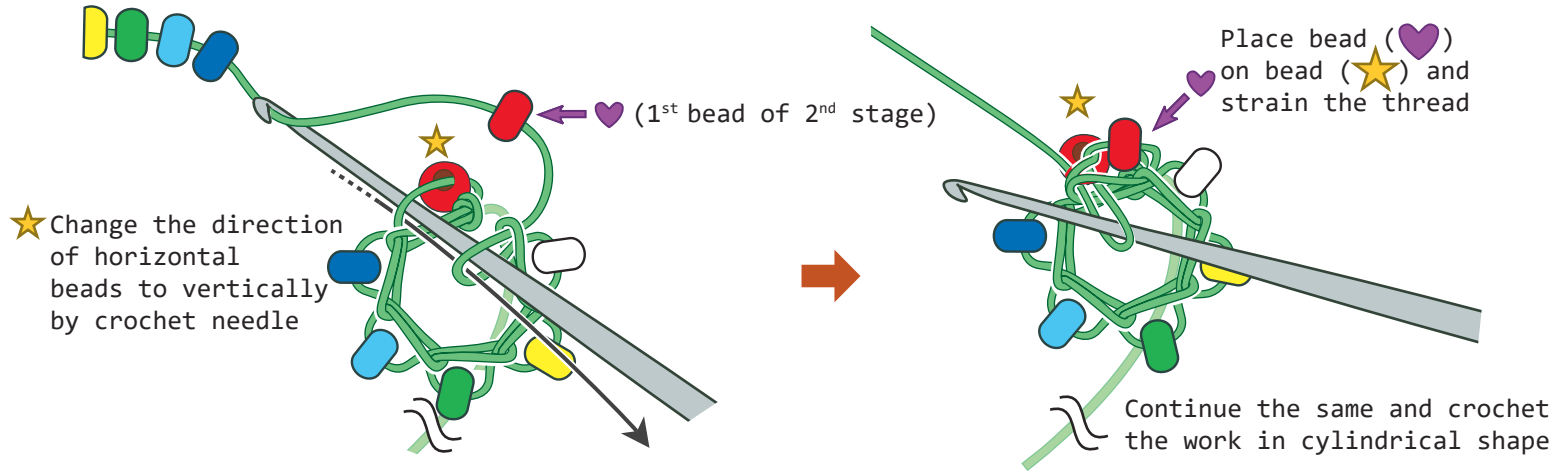
1) String beads as follows.



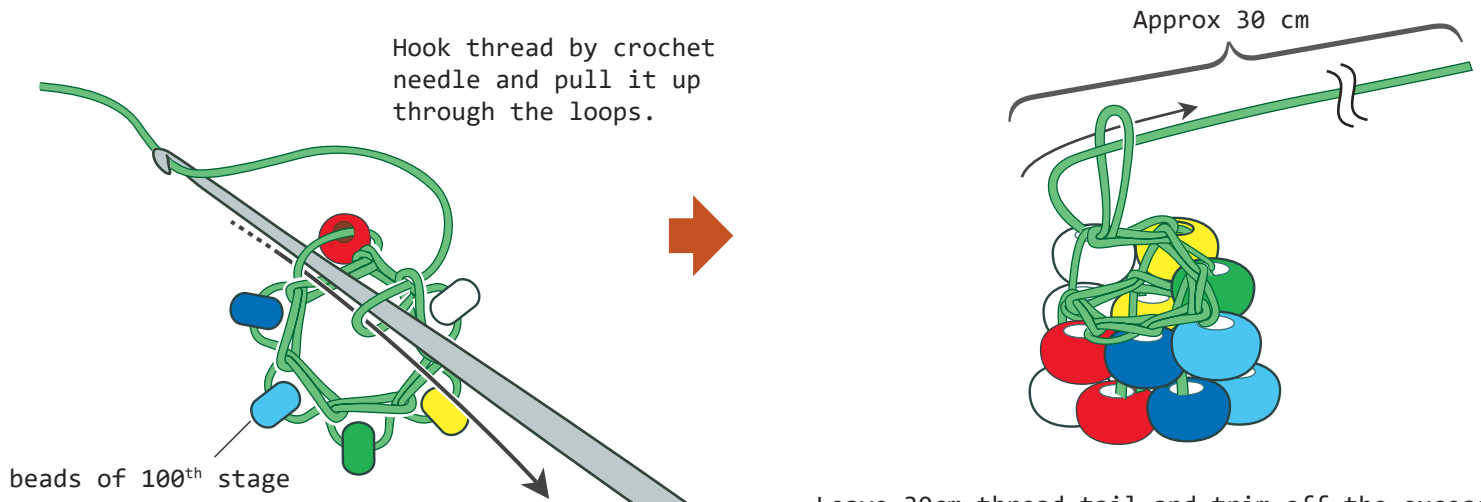
2) Crochet the 1<sup>st</sup> stage (6 beads). Make a loop, let crochet needle go through the loop, a bead comes near, and hook thread by crochet needle, then let the crochet needle come back through the loop. Repeat the same and crochet 6 beads. Let the crochet needle go under the thread next to the bead (★).



3) Crochet 2nd stage. Let a bead (♥) comes near and pull up the thread as below picture.

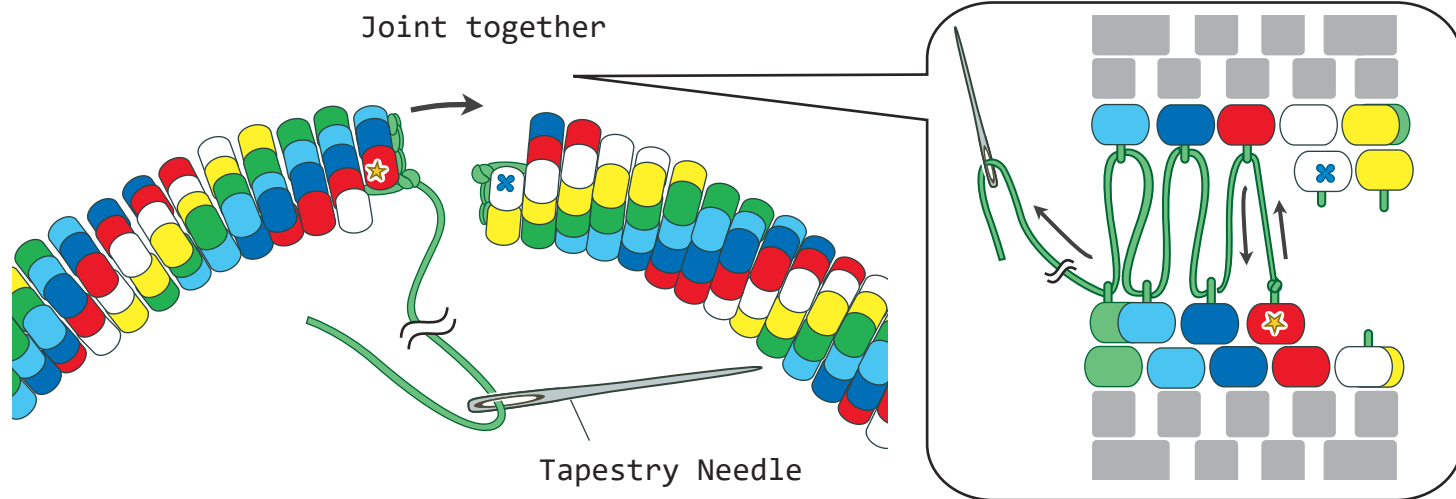


4) When you complete 100 stages (approx 18cm, please adjust the size for your wrist size while increasing of reducing beads), crochet another stage without beads and finish the thread. Direction of horizontal beads on the 100th stage will be changed to vertically by after you complete this process.



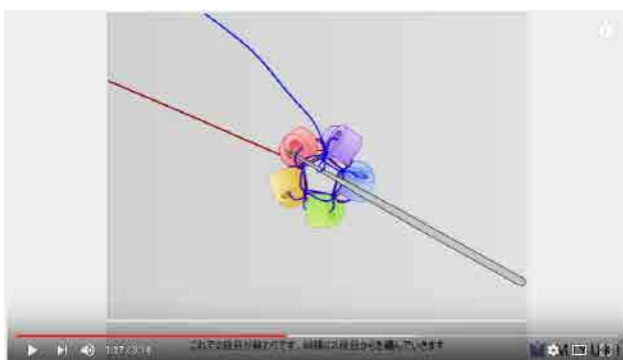
Leave 30cm thread tail and trim off the excess. Let the thread tail go into the last loop by tapestry needle and strain the thread. Let the thread tail into the work and knot on 2 or 3 crocheted threads in the work. Trim off the excess of the thread tail.

5) Joint both ends as below picture shows. Finish the thread.



Please see a movie of how to make beading crochet as follows.

**YouTube MIYUKI Beads crochet lesson for Beginners**



<https://youtu.be/MGGf4ak2n4s>

